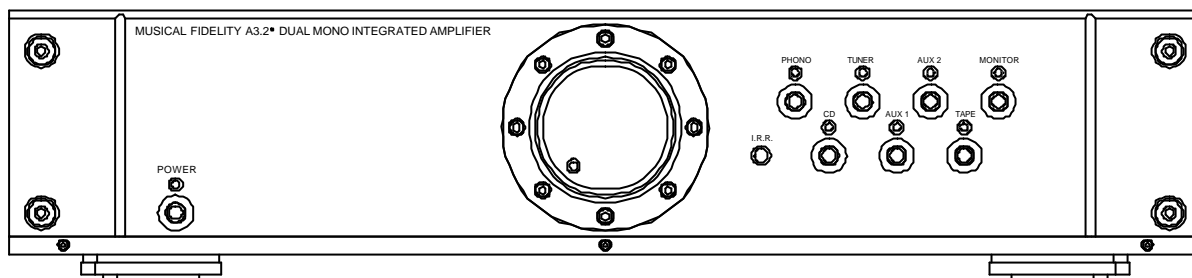


A3.2

DUAL MONO INTEGRATED AMPLIFIER



INSTRUCTIONS FOR USE

Thank you for purchasing the Musical Fidelity A3.2 Integrated amplifier.

Used properly and carefully, it should give you many years of outstanding musical reproduction.

Æsthetically, the A3.2 Integrated amplifier is a perfect match for the A3.2 CD player and the A3.2 Tuner.

Together, they form one of the finest hi-fi systems available.

Dust regularly with a soft duster or soft brush, but be careful when using cleaning or polishing agents - they may harm the surface finish.

If you have any questions about your audio system, please consult your dealer who is there to help and advise.

MUSICAL FIDELITY

SAFETY INFORMATION

IMPORTANT! (U.K. only)

This unit is supplied in the U.K. with a mains lead fitted with a moulded 13 amp plug. If, for any reason, you need to cut off this plug, please remove the fuse holder and dispose of the plug safely, out of reach of children. ***It must not be plugged into a mains outlet.***

The wires in the mains lead supplied with this appliance are coloured in accordance with the following code:

Green and yellow.....Earth
Blue.....Neutral
Brown.....Live

WARNING - This appliance must be earthed

As the colours of the wires of the mains lead of this appliance may not correspond with the coloured markings identifying the terminals in your plug, proceed as follows:

The wire which is coloured green-and-yellow must be connected to the terminal in the plug which is marked with the letter E or coloured green or green-and-yellow, or by the earth symbol:



The wire which is coloured brown must be connected to the terminal which is marked with the letter L or coloured red.

The wire which is coloured blue must be connected to the terminal which is marked with the letter N or coloured black.

If connecting to a BS1363 plug, a 13 amp fuse must be used.

WARNING:

The A3.2 is a powerful amplifier and must necessarily supply high voltages through the loudspeaker terminals. Therefore, to avoid any possibility of an electric shock DO NOT TOUCH THE SPEAKER TERMINALS when the unit is being used. To comply with BSEN60065 safety regulations, the 4mm “banana” plug holes have been fitted with plastic blanking pieces. Removal of these will invalidate any electrical safety approval of this product.

WARNING:

Any modifications to this product not expressly approved by Musical Fidelity who is the party responsible for standards compliance could void the user’s authority to operate this equipment.

GENERAL ADVICE

INSTALLATION PRECAUTIONS and USER INFORMATION

Your new A3.2 Integrated amplifier is designed and built to provide trouble-free performance, but as with all electronic devices it is necessary to observe a few precautions:

Heed all warnings shown on the back of the product.

Only connect the A3.2 Integrated amplifier to a mains outlet having the same voltage as marked at the back of the unit.

Always ensure that when disconnecting and reconnecting your audio equipment the mains supply is switched off.

Position the mains lead and signal interconnects where they are not likely to be walked on or trapped by items placed on them.

*Do not use near water, or place water-filled containers on the amplifier, for example, flower vases or potted plants. **If water does spill inside, immediately pull out the mains plug from the wall socket and inform your dealer, who should then check the unit before further use. Entry of liquid into the amplifier is dangerous, and may cause electric shock or fire hazard.***

Do not place the unit near heat sources such as radiators, direct sunlight or other equipment. The case of this amplifier can run at high temperatures - operate the unit in a well ventilated area, and do not touch the cabinet sides or top after periods of use at high output power.

Do not remove covers or try to gain access to the inside. There are no internal user adjustments. Refer all service work to an authorised Musical Fidelity agent.

NOTE: Unauthorised opening of the equipment will invalidate any warranty claims.

There are fuses inside the A3.2 amplifier. In the unlikely event that one blows, refer the unit to your audio dealer. Do NOT try to replace the fuse yourself as this will invalidate the warranty.

Dust regularly with a soft duster or soft brush, but be careful when using cleaning or polishing agents - they may harm the surface finish.

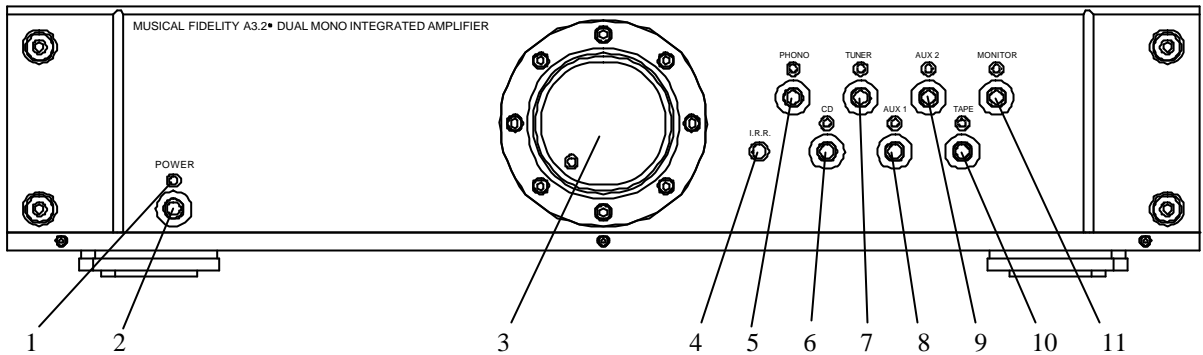
The electronics in modern hi-fi equipment is complex and may, therefore, be adversely affected or damaged by lightning. For protection of your audio system during electrical storms, remove the mains plugs and disconnect any aerial lead.

If after-sales service is required, to help your dealer identify the A3.2 Integrated amplifier please quote the serial number located on the rear panel of the unit.

RADIO FREQUENCY INTERFERENCE (R.F.I)

This product has been tested to ensure that its operation is not adversely affected by normal background levels of R.F.I., and that it does not itself generate excessive amounts of interference. However, if a problem persists, please contact your Musical Fidelity agent.

CONNECTIONS AND FACILITIES

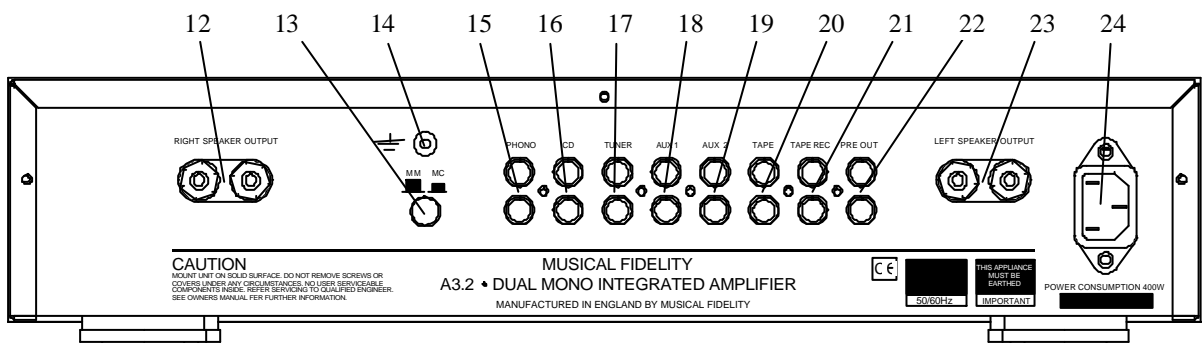


Front panel layout

- 1 Power on indicator LED
- 2 POWER on/off switch
- 3 Volume control with LED
- 4 **Infra Red Receiver** for remote control
- 5 PHONO input select button and LED
- 6 CD input select button and LED
- 7 TUNER input select button and LED
- 8 AUXILLIARY 1 input select button and LED
- 9 AUXILLIARY 2 input select button and LED
- 10 TAPE input select button and LED
- 11 Tape MONITOR button and LED

Back panel layout

- 12 Right SPEAKER OUTPUT terminals
- 13 Phono moving magnet / moving coil selection switch
- 14 Phono earth terminal
- 15 PHONO input sockets
- 16 CD input sockets
- 17 TUNER input sockets
- 18 AUXILLIARY 1 input sockets
- 19 AUXILLIARY 2 input sockets
- 20 TAPE input sockets
- 21 TAPE RECORD output sockets
- 22 PRE-AMPLIFIER OUT sockets
- 23 Left SPEAKER OUTPUT terminals
- 24 IEC mains power inlet



REMOTE CONTROL

REMOTE CONTROL

The blue buttons on the remote control enable main functions of the amplifier to be operated from a convenient distance. Remaining buttons on this universal handset are for use with other Musical Fidelity products, and have no effect on the A3.2 Integrated amplifier.

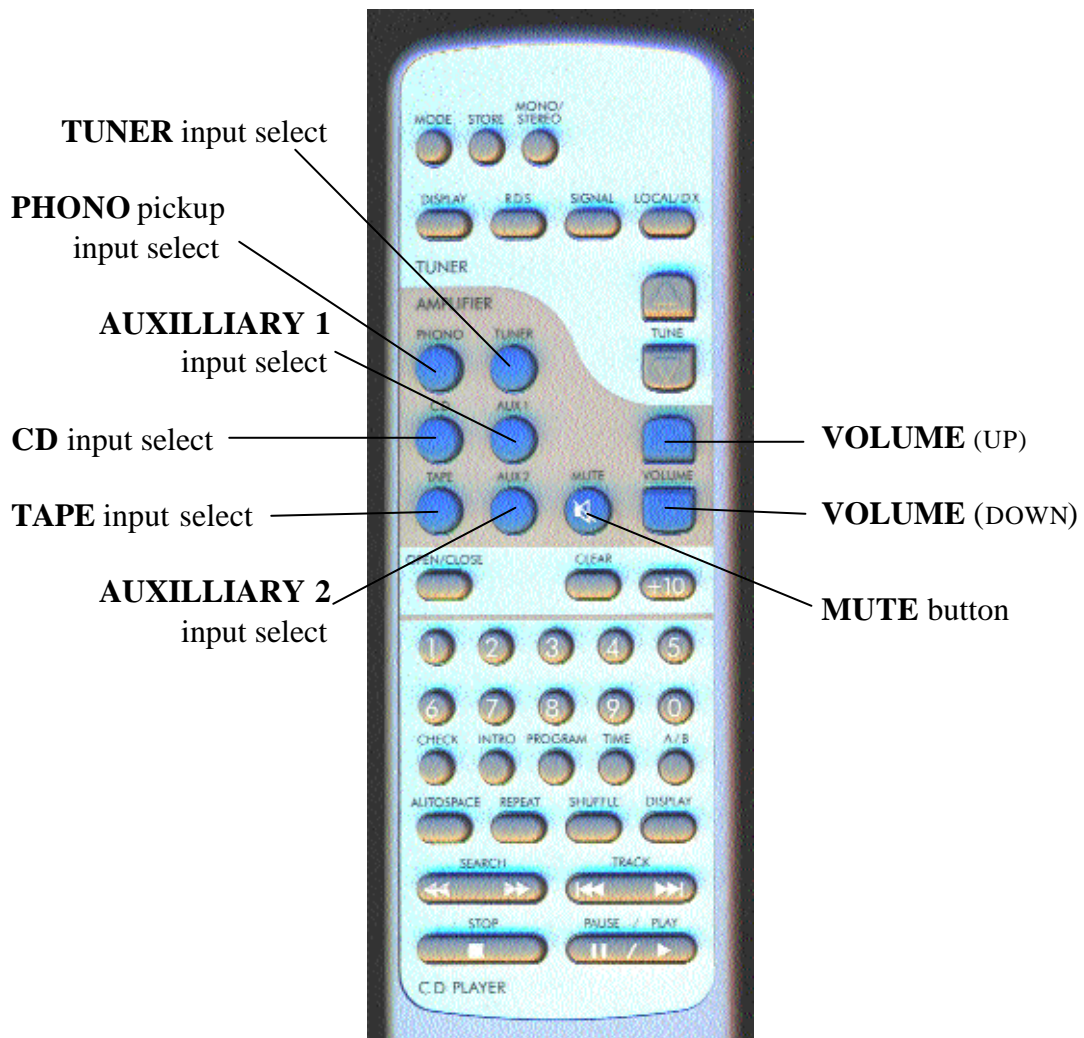
Equivalent buttons on the remote handset have the same functions as those on the front panel of the unit.

As the remote control uses an invisible infra-red light beam, the transmitter must be pointed directly towards the receiver window on the front of the amplifier, without visual obstruction between them.

Pressing the volume-up or -down buttons on the remote handset will advance the motorised volume control in the required direction.

The **MUTE** button mutes the SPEAKER output and PRE-OUT sockets. To show that the amplifier is muted, the blue LED in the volume control knob goes out. Press the **MUTE** button again to cancel mute function, and the blue LED will light again.

If the range of the remote control greatly decreases, replace the batteries with new ones. Do not mix old and new batteries - two are required, type SUM-4, AAA or LR03.



CONNECTIONS

All input, output and power connections should be made with the mains power switched OFF.

INPUT CONNECTIONS

The A3.2 Integrated amplifier has one pair of phono inputs, which can be used either for moving magnet (MM) or moving coil (MC) pickups.

The phono input sensitivity requirement can be changed from MM to MC by pressing the push-button switch located on the rear panel.

Important - *Do not operate the MM/MC switch with the volume control turned up.*

Some turntable/pickup arm combinations are fitted with an extra wire for chassis earthing. This should be connected to the earth terminal on the back panel.

The A3.2 amplifier also has five "line level" inputs which are electrically identical, and therefore suitable for use with any source component having an output of at least 300mV. The sockets on the rear panel are marked **CD**, **TUNER**, **AUXILIARY 1**, **AUXILLIARY 2**, and **TAPE**, to correspond with function buttons on the front panel.

Connect the left and right outputs from your CD player, tuner or phono/record deck to the appropriate RCA input sockets on the back panel.

Connect the A3.2's **TAPE** input sockets to the line output of your tape recorder, and A3.2's **TAPE RECORD** output sockets to the line input sockets of the tape deck.

For the best results we recommend using either Musical Fidelity X-LINX "no-nonsense" cables for this connection or the highly rated Nu-Vista leads with integral RFI suppression.

(continued)

Various lengths are available in the Nu-Vista interconnect range. Please contact your local dealer for more information.

OUTPUT CONNECTIONS

Connect your loudspeakers to the terminals on the back panel marked as **LEFT** and **RIGHT SPEAKER** outputs.

PRE-AMPLIFIER OUTPUT

The A3.2 Integrated amplifier has its pre-amplifier output available from RCA sockets on the back panel marked **PRE-OUT**, and is controlled by the volume adjustment.

This is to allow "bi-amplification" using suitable external amplifiers and crossover networks to power the speaker drive components separately, giving noticeable improvement in clarity, imaging and bass weight.

In this arrangement, typically the A3.2's speaker outputs are used to drive the speaker's "tweeter" (high audio frequencies), and an external stereo amplifier drives the "woofer" (low frequencies).

The A3.2's **PRE OUT** RCA sockets would therefore be connected to the input of the external "woofer" amplifier in this example.

If you are in doubt about bi-amplification, please contact your dealer for advice.

BEFORE SWITCHING ON

Plug the accessory IEC mains lead into the rear panel socket, then the other end into a wall outlet.

Turn the volume control on the front panel to minimum (anticlockwise).

STARTING

Press the **POWER** button on the A3.2 amplifier - the **red** power LED on the front panel will light indicating that the unit is ready for use. However, for about five seconds no sound will be heard from your speakers, and the **blue** LED on the volume knob will not be lit, confirming initial mute action.

Unless using your amplifier for off-tape monitoring (see paragraph opposite →) ensure that the **TAPE MONITOR** button has not been pressed accidentally, as otherwise no sound will be heard through the speakers.

Select the required audio input source by pressing an appropriate function button on the front panel or remote control, and adjust the volume control to obtain the preferred sound level.

TAPE RECORDING

To record, simply select the required source with the input selector button on the front panel or remote control. This source will now be routed to the A3.2's **TAPE RECORD** output for recording by the external tape deck. You will also be able to hear the selected source through the loudspeakers.

Note - adjustment of the volume control has no effect on the recording level.

OFF TAPE MONITORING

The A3.2 amplifier has a single tape circuit with facilities for off-tape monitoring with 3-head tape decks.

In conjunction with a 3-head cassette deck, off-tape monitoring allows the user to compare recorded sound with the original whilst a recording is being made. To do this, first select the required source in the normal way and start recording.

The **MONITOR** button on the front panel can now be used to switch between the original source sound and the recorded version, allowing direct comparison. The **blue** LED just above the monitor button is lit when the tape monitor function is operating, confirming that the recorded sound is selected.

On some 3-head tape decks there is an additional 'tape/source' switch, which must be in the 'tape' position for the above to work.

If in doubt, please refer to your tape deck operating manual.

TROUBLESHOOTING

Basic problem-solving with an amplifier is similar to troubleshooting any other electrical or electronic equipment. Always check the most obvious possible causes first. To give you a few ideas of what to look for, check the following:

<i>Problem</i>	<i>Possible Cause</i>	<i>Remedy</i>
No power when POWER button is pressed	Mains plug not inserted fully into rear socket	Plug in securely
No sound	Tape monitor function has been selected Wrong connections between input sources and the A3.2 amplifier Speakers not connected, or incorrectly wired	Switch off tape monitor Check audio input lead connections Check speaker cables
Sound is not precise, lacking in bass and stereo image	Speakers are connected out of phase, i.e., connections to one speaker (+ and -) are reversed	Ensure speakers are connected correctly

If none of these actions effect a cure, please contact your dealer, or an authorised Musical Fidelity service agent. Remember, never open the case of the A3.2 Integrated amplifier yourself, as this will invalidate the guarantee.

A3.2

Dual Mono Integrated Amplifier

Power output at 1kHz for 0.5% distortion:	115 Watts per channel into 8 ohms
Total harmonic distortion 1kHz:	< 0.007%
Frequency response	10Hz to 20kHz \pm 0.3dB
Channel separation:	> 85dB 20Hz to 20kHz
Input sensitivity	line inputs: 300mV, 200k ohms phono input MM 3.5mV, 47k ohms phono input MC 350 μ V, 47k ohms
Signal / noise ratio (ref. 120 Watts, 8 ohms)	line inputs: > 103dB 'A'-weighted, > 95dB unweighted phono MM: > 96dB 'A'-weighted > 89dB unweighted phono MC: > 88dB 'A'-weighted > 82dB unweighted
Power requirement:	100 / 115 / 230Volts AC 50 / 60Hz (factory pre-set)
Power consumption:	400 Watts maximum
Dimensions:	440 mm wide 95 mm high including feet 400 mm deep including terminals and volume knob
Weight:	12.5kg unit only, unboxed 14.5kg in shipping carton
Standard accessories	IEC type mains lead Remote control (universal) 2 batteries (type SUM-4, AAA, LR03)



Musical Fidelity reserves the right to make improvements which may result in specification or feature changes without notice